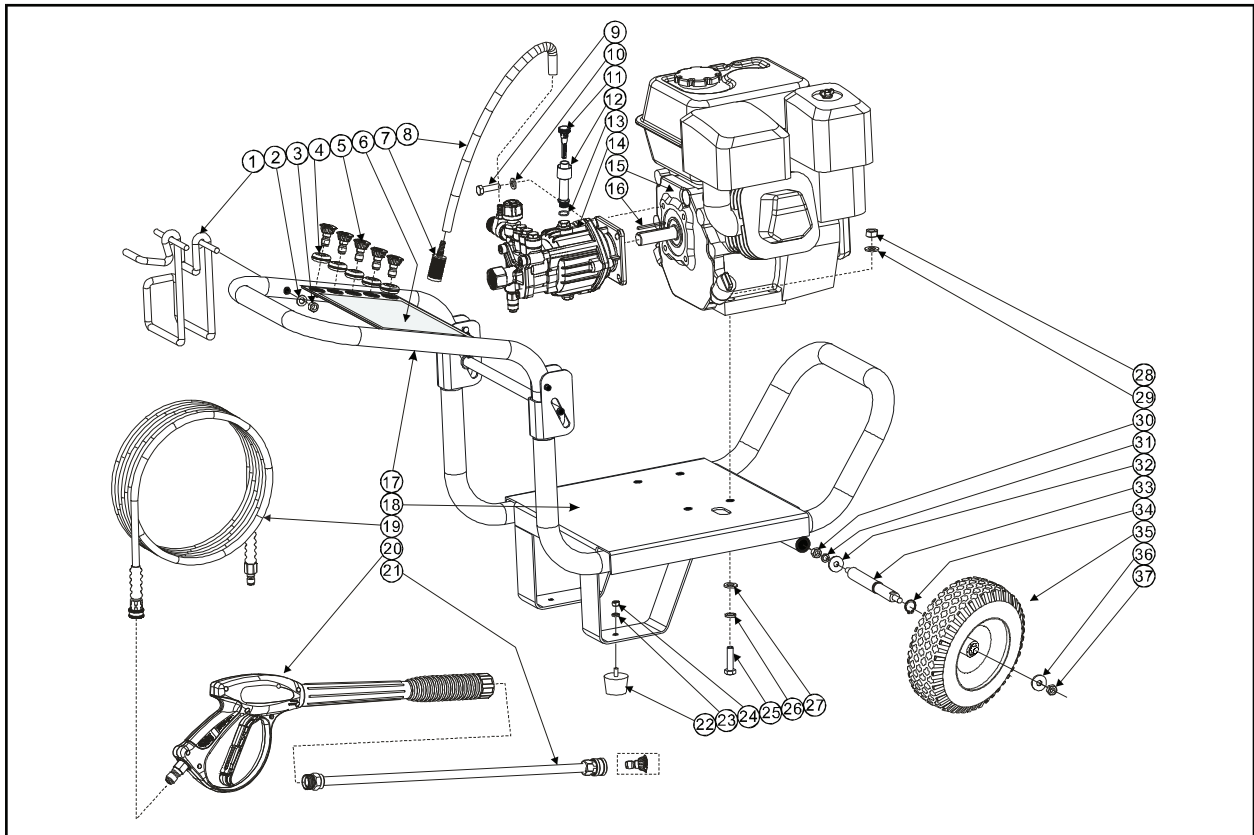


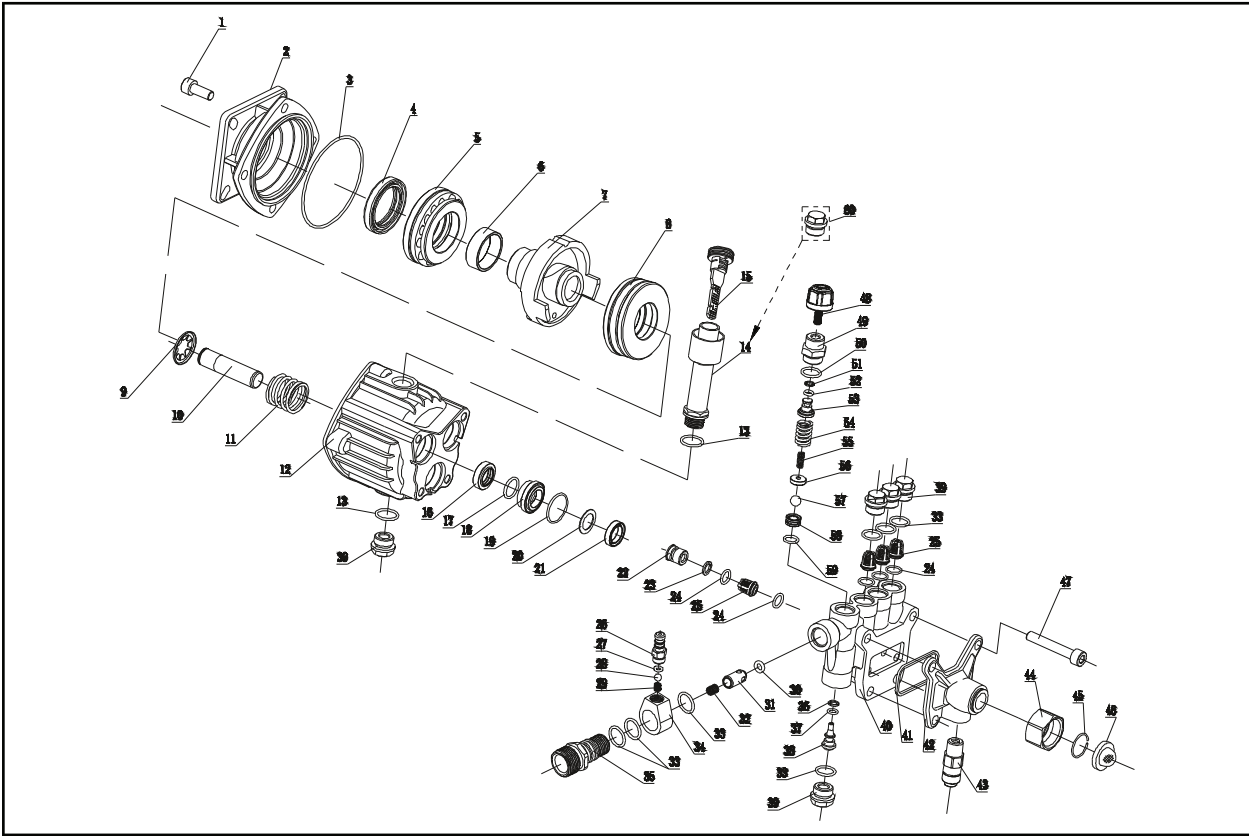
UNIT EXPLODED VIEW AND PARTS LIST



PARTS LIST

Ref No.	Description	Qty per pump	Ref No.	Description	Qty per pump
1	Gun & Hose Holder	1	20	Gun	1
2	Washer	1	21	Wand	1
3	Nut	1	22	Pad	2
4	Grommet	5	23	Washer	2
5	Nozzle	5	24	Nut	2
6	Safety Warnings	1	25	Engine Bolt	4
7	Filter	1	26	Lock washer	4
8	Detergent Inlet Hose	1m	27	Washer	4
9	Bolt	4	28	Nut	4
10	Lock Washer	4	29	Lock washer	4
11	Dipstick	1	30	Axle Nut	2
12	Pump Fill Plug	1	31	Lock washer	2
13	O-ring	1	32	Washer	2
14	Pump Assembly	1	33	Axle	2
15	Engine	10m	34	Clip	2
16	Key	1	35	Wheel	2
17	Handle	1	36	Washer	2
18	Frame Base	1	37	Wheel Nut	2
19	Hose	8m			

PUMP EXPLODED VIEW AND PARTS LIST



PARTS LIST

1	Screw M8x16	21	Water Seal	41	Seal Gasket
2	Flange	22	Inlet Valve Plug	42	Water Inlet Body
3	O-Ring 80x2,4	23	Backup Ring	43	Thermal Relief Valve
4	Radial Shaft Seal	24	O-ring	44	Inlet Swivel Nut
5	Real Bearing	25	Check Valve	45	Clip Ring
6	Sheath	26	Chemical Inlet	46	Water Filter
7	Wobble Plate	27	O-ring 4.47x1.78	47	Manifold Bolt
8	Front Bearing	28	Ball	48	Screw
9	Spring Disk	29	Cone Spring	49	Screw Plug
10	15mm Plunger	30	O-ring	50	O-ring
11	Plunger Spring	31	Outlet Valve	51	Backup Ring
12	Crankcase	32	Valve Spring	52	O-ring
13	O-Ring 14.2x1.9	33	O-ring	53	Spring Holder
14	Pump Fill Plug	34	Siphon Body	54	Large Pressure Spring
15	Dipstick	35	Outlet Connector	55	Small Pressure Spring
16	Oil Seal	36	Backup Ring	56	Ball Holder
17	O-ring 15x2.2	37	O-ring	57	Ball
18	Spacer	38	Valve Core	58	Valve Port
19	O-ring 22x2	39	Plug	59	O-ring
20	Pressure Ring	40	Pump Manifold	60	Oil Plug (for shipping)