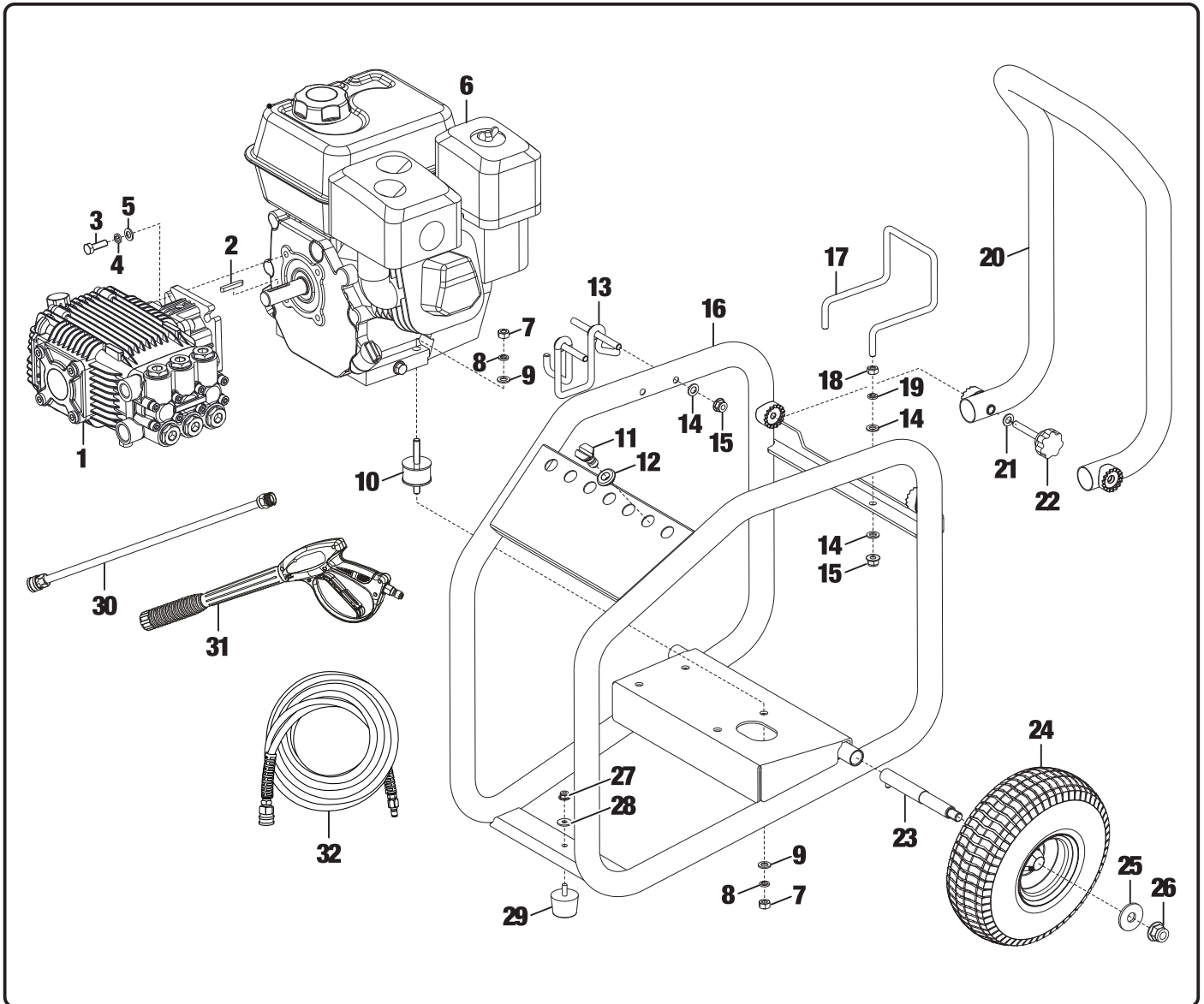
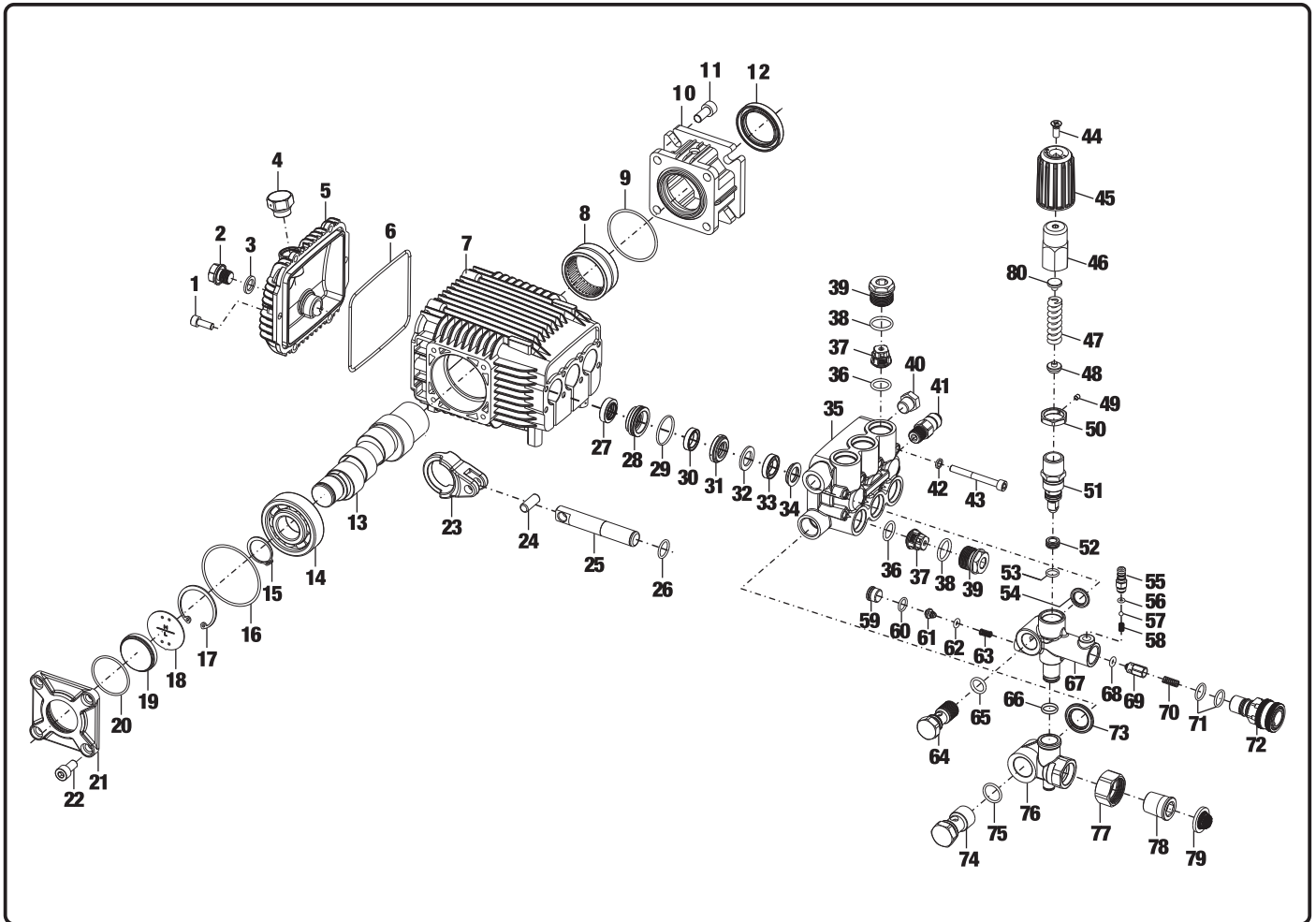


## 18. Pressure Washer Exploded View & Parts List (JN Series)



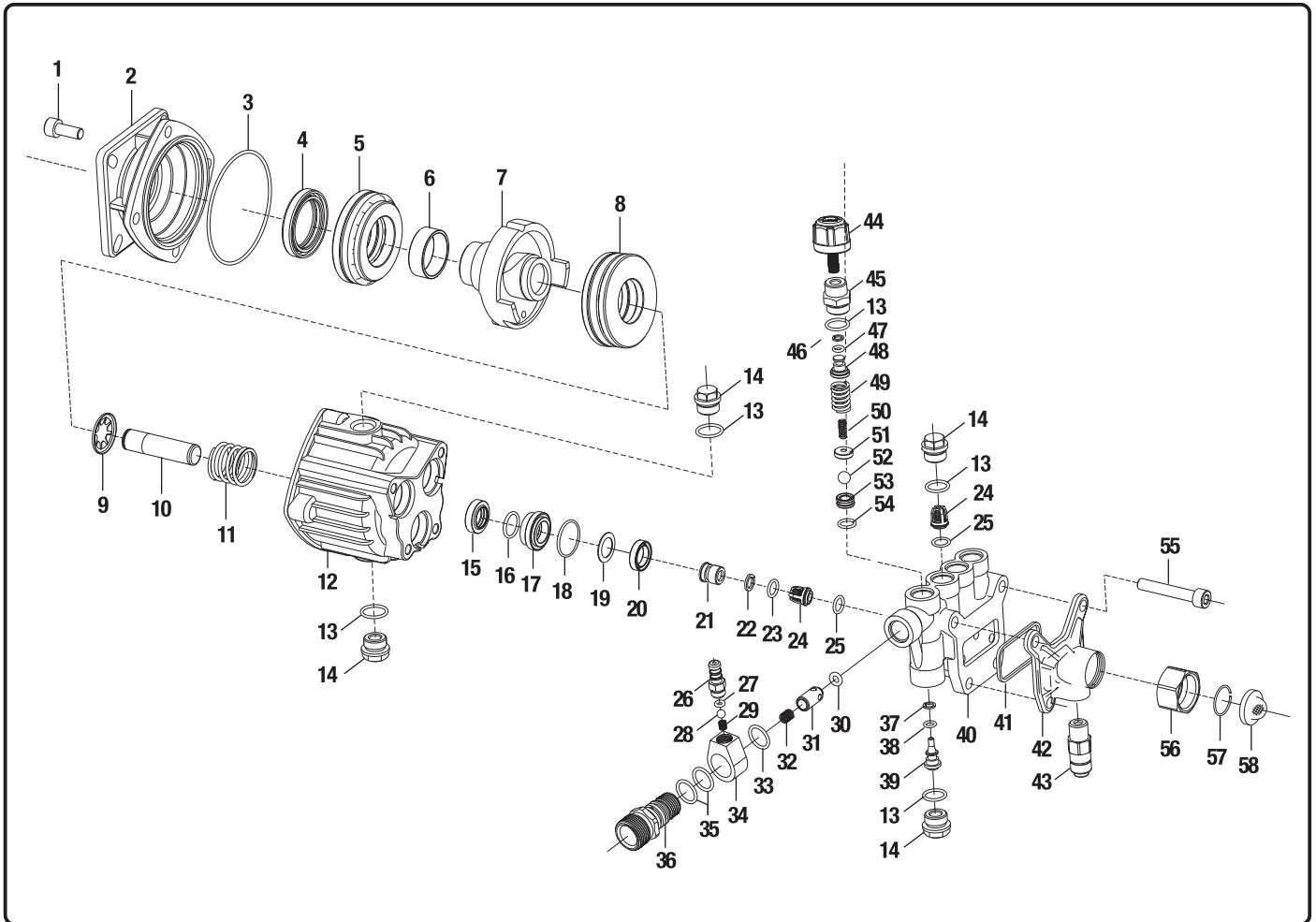
REF NO.	DESCRIPTION	QTY	REF NO.	DESCRIPTION	QTY	REF NO.	DESCRIPTION	QTY
1	Pump	1	12	Grommet	7	23	Axle	2
2	Key	1	13	Gun Hook	1	24	Wheel	2
3	Pump Fix Bolt	4	14	Plain Washer	6	25	Plain Washer	2
4	Spring Washer	4	15	Nut	4	26	Nut	2
5	Plain Washer	4	16	Frame	1	27	Nut	2
6	Engine	1	17	Hose Hook	1	28	Plain Washer	2
7	Nut	8	18	Nut	2	29	Rubber Foot	2
8	Spring Washer	8	19	Spring Washer	2	30	Wand	1
9	Plain Washer	8	20	Handle	1	31	Gun	1
10	Shock Pad	4	21	Locking Bolt	2	32	Steel Rubber Hose	1
11	Nozzle	5	22	Plain Washer	2			

## 19. Exploded View & Parts List (Triplex Pump)



REF NO.	DESCRIPTION	REF NO.	DESCRIPTION	REF NO.	DESCRIPTION
1	Bolt, crankcase cover	26	O-ring	51	Pressure jam nut
2	Oil drain plug	27	Oil seal, plunger	52	Unloader valve assy
3	O-ring, oil drain plug	28	Locating ring	53	Valve seat
4	Vented oil cap	29	O-ring, locating ring	54	O-ring, valve seat
5	Crankcase cover	30	Low pressure water seal	55	Gasket, unloader valve housing
6	Gasket, crankcase cover	31	Compression ring	56	Detergent injector fitting
7	Crankcase	32	Compression flake	57	O-ring, injector fitting
8	Needle bearing	33	High pressure water seal	58	Ball, injector fitting
9	O-ring, flange	34	Supporting ring	59	Spring, injector fitting
10	Flange	35	Manifold	60	Water outlet banjo bolt
11	Bolt, flange	36	O-ring, checking valve	61	O-ring, outlet banjo bolt
12	Oil seal, flange	37	Checking valve assy	62	O-ring, unloader valve housing
13	Crankshaft	38	O-ring, valve cap	63	Unloader valve housing
14	Ball bearing	39	Checking valve cap	64	O-ring, outlet checking valve
15	Scrap ring	40	Outlet plug, manifold	65	Outlet checking valve
16	O-ring, crankshaft cover	41	Inlet plug, manifold	66	Spring, outlet checking valve
17	Retain ring	42	Thermal Relief Valve	67	O-ring, outlet fitting
18	Oil level plate	43	Washer, bolt, manifold	68	Quick disconnect outlet fitting
19	Oil sight glass	44	Bolt, manifold	69	Gasket, bypass housing
20	O-ring, oil sight glass	45	Screw, knob cap	70	Water Inlet banjo bolt
21	Crankshaft cover	46	Plastic knob cap	71	O-ring, inlet banjo bolt
22	Bolt, crankshaft cover	47	Pressure adjusting knob	72	Bypass housing
23	Connecting rod	48	Pressure adjusting spring	73	Swivel nut, inlet connector
24	Pin	49	Spring seat	74	Body, inlet connector
25	Ceramic coating plunger	50	Screw, jam nut	75	Filter washer, inlet connector

## 19. Exploded View & Parts List (Axial Pump)



REF NO.	DESCRIPTION
1	Socket Head Screw M8X16
2	Pump Basal Flange
3	O-Ring(80X2.2)
4	Radial Shaft Seal
5	Rear Bearing
6	Wearable Sheath
7	Wobble Plate
8	Front Bearing
9	Spring Disk
10	15mm Plunger
11	Plunger Spring
12	Crankcase
13	O-Ring(14.2X1.9)
14	Plug
15	15mm Oil Seal
16	O-Ring(15X2.2)
17	Spacer
18	O-Ring(21.8X1.9)
19	Compaction flake
20	15mm Water Seal

REF NO.	DESCRIPTION
21	Inlet Valve Plug
22	Backup Ring
23	O-Ring(9.8X1.9)
24	Checking Valve
25	O-ring (9.8X1.9)
26	Chemical Hose Barb
27	O-Ring
28	Ball
29	Small Cone Spring
30	O-Ring(5.3X2.65)
31	Outlet Cone Valve
32	Cone Valve Spring
33	O-Ring(12.2X2.6)
34	Soap Siphon Body
35	O-ring
36	Outlet connector
37	Backup Ring
38	O-Ring (9.25X1.78)
39	Backwater Valve Core
40	Pump Manifold

REF NO.	DESCRIPTION
41	Seal Gasket
42	Water Inlet Body
43	Thermal Relief Valve
44	Adjusting Screw
45	Adjusting Screw Plug
46	Backup Ring
47	O-Ring
48	Spring Holder
49	Big Pressure Spring
50	Small Pressure Spring
51	Ball Holder
52	Steel Ball 8.7
53	Backwater Valve Port
54	O-Ring 9.25X1.78
55	Manifold Hold Bolt
56	Water Inlet Swivel Nut
57	Clip Ring 21.4
58	Water Inlet Filter