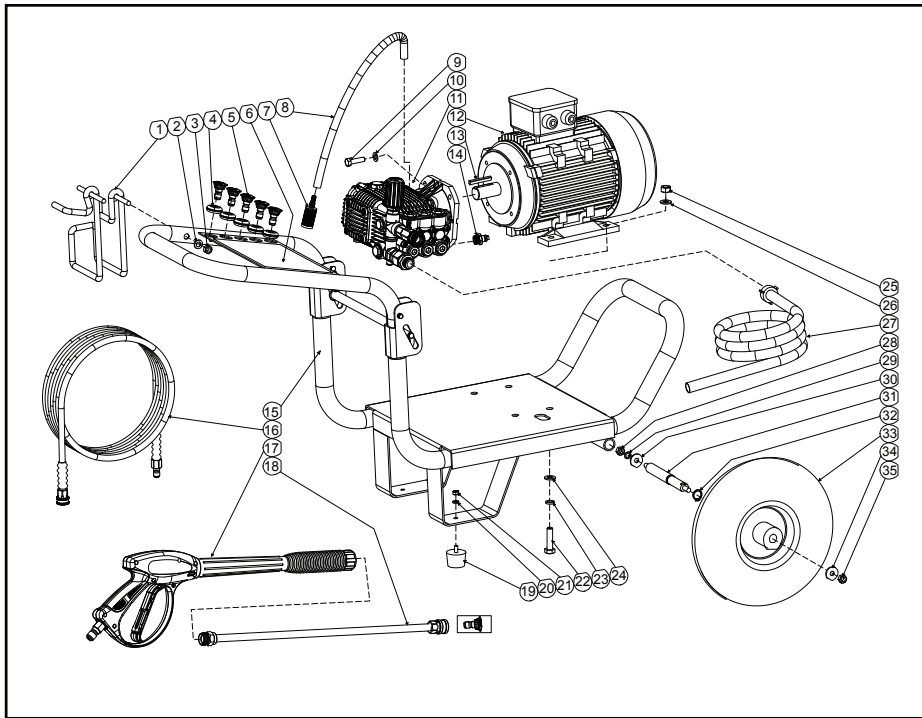


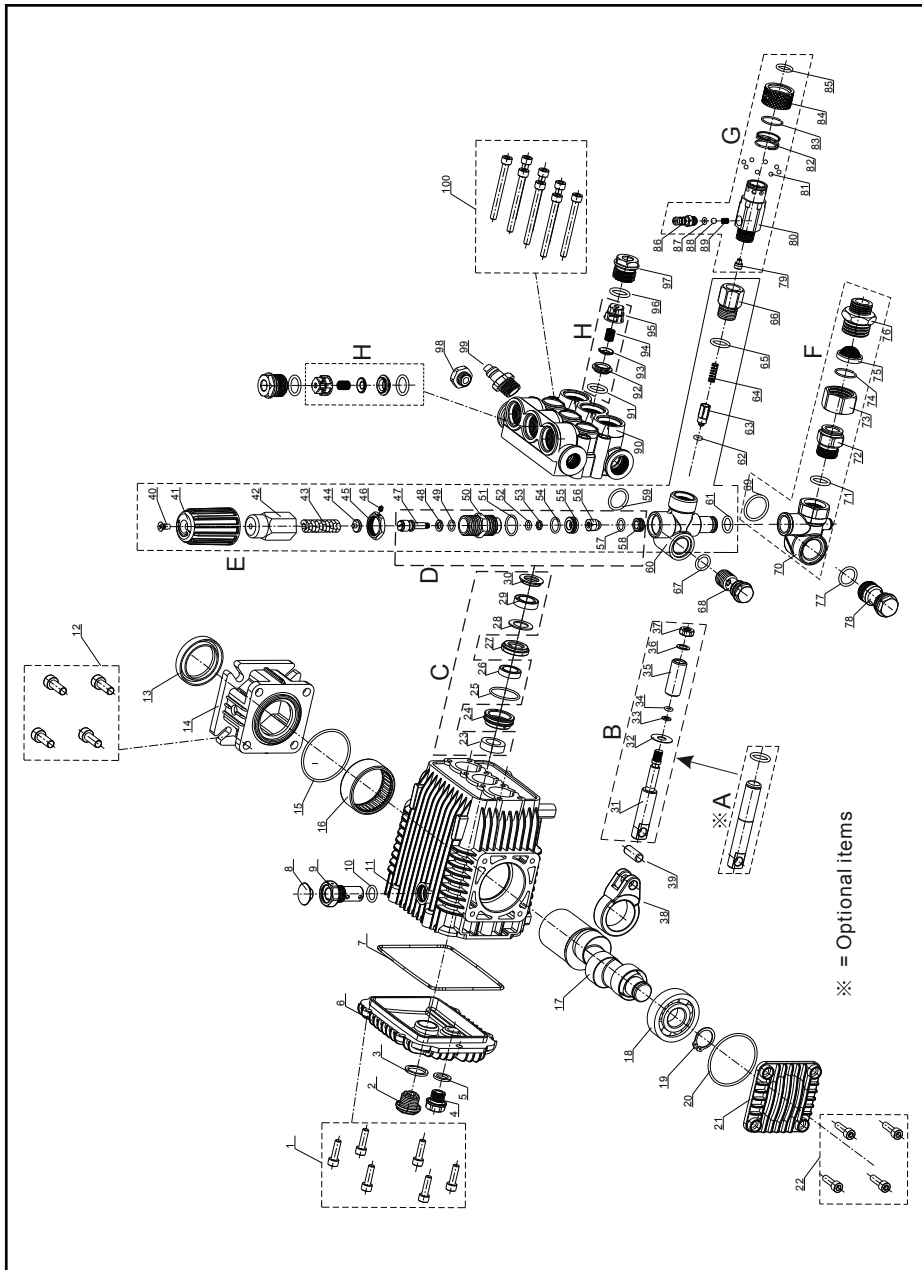
EXPLODED PARTS DIAGRAM



PARTS LIST

Ref No.	Description	Ref No.	Description	Ref No.	Description
1	Hook	13	Key	25	Fix nut
2	Plain washer	14	Thermal protect valve	26	Spring washer
3	Fix nut	15	Frame	27	Water inlet hose
4	Grommet	16	High-pressure hose	28	Axile fix nut
5	Nozzle set	17	Gun	29	Spring washer
6	Decal	18	Wand	30	Plain washer
7	Filter	19	Rubber foot	31	Axile
8	Chemical inlet hose	20	Plain washer	32	Clip
9	Pump fix bolt	21	Fix nut	33	Wheel
10	Spring washer	22	Engine fix bolt	34	Plain washer
11	Pump assy	23	Spring washer	35	Wheel fix nut
12	Electirc motor	24	Plain washer		

PUMP EXPLODED PARTS DIAGRAM



PUMP PARTS LIST

NO.	DESCRIPTION	NO.	DESCRIPTION	NO.	DESCRIPTION	NO.	DESCRIPTION
1	Screw	31	Plunger guide	61	O-ring	91	O-ring
2	Oil gauge	32	Checking ring	62	O-ring	92	Seat
3	Gasket, oil gauge	33	Backup ring	63	Checking valve	93	Valve plate
4	Drain plug	34	O-ring	64	Spring	94	Spring
5	Gasket, Drain plug	35	Ceramic pipe	65	O-ring	95	Valve cage
6	Crankcase cover	36	Plain washer	66	Outlet connector	96	O-ring
7	O-ring	37	Fix nut	67	O-ring	97	Valve plug
8	Cover, oil plug	38	Connecting rod	68	Outlet banjo bolt	98	Outlet plug
9	Oil plug	39	Fix pin	69	O-ring	99	Inlet plug
10	O-ring	40	Screw	70	Inlet T connector	100	Bolt
11	Crankcase	41	Plastic cap, knob	71	O-ring	A	※ Powder coating ceramic plunger assy
12	Screw	42	Knob	72	Inlet connector	B	Plunger assy
13	Oil seal, crankshaft	43	Spring	73	Swivel nut	C	Plunger sealing set
14	Flange	44	Spring seat	74	O-ring	D	Unloader valve assy
15	O-ring	45	Jam nut	75	Water filter	E	Pressure regulator, pressure adjustable
16	Needle bearing	46	Fix screw	76	Adaptor	F	Water inlet assy
17	Crankshaft	47	Valve rod	77	O-ring	G	QD & Chemical injector one piece joint
18	Ball bearing	48	Backup ring	78	Inlet banjo bolt	H	Checking valve assy
19	Clip	49	O-ring	79	Water injection tube		
20	O-ring	50	Valve body	80	QD body		
21	Cover, crankshaft	51	O-ring	81	Ball		
22	Screw	52	O-ring	82	Spring		
23	Oil seal, plunger	53	Backup ring	83	Clip		
24	Locating ring	54	O-ring	84	Collar		
25	O-ring	55	Seat, valve body	85	O-ring		
26	Low pressure seal	56	Bullet	86	Soap suction nozzle		
27	Compaction ring	57	O-ring	87	O-ring		
28	Compaction flake	58	Seat	88	Ball		
29	High-pressure seal	59	O-ring	89	Spring		
30	Supporting ring	60	Outlet T connector	90	Manifold head		