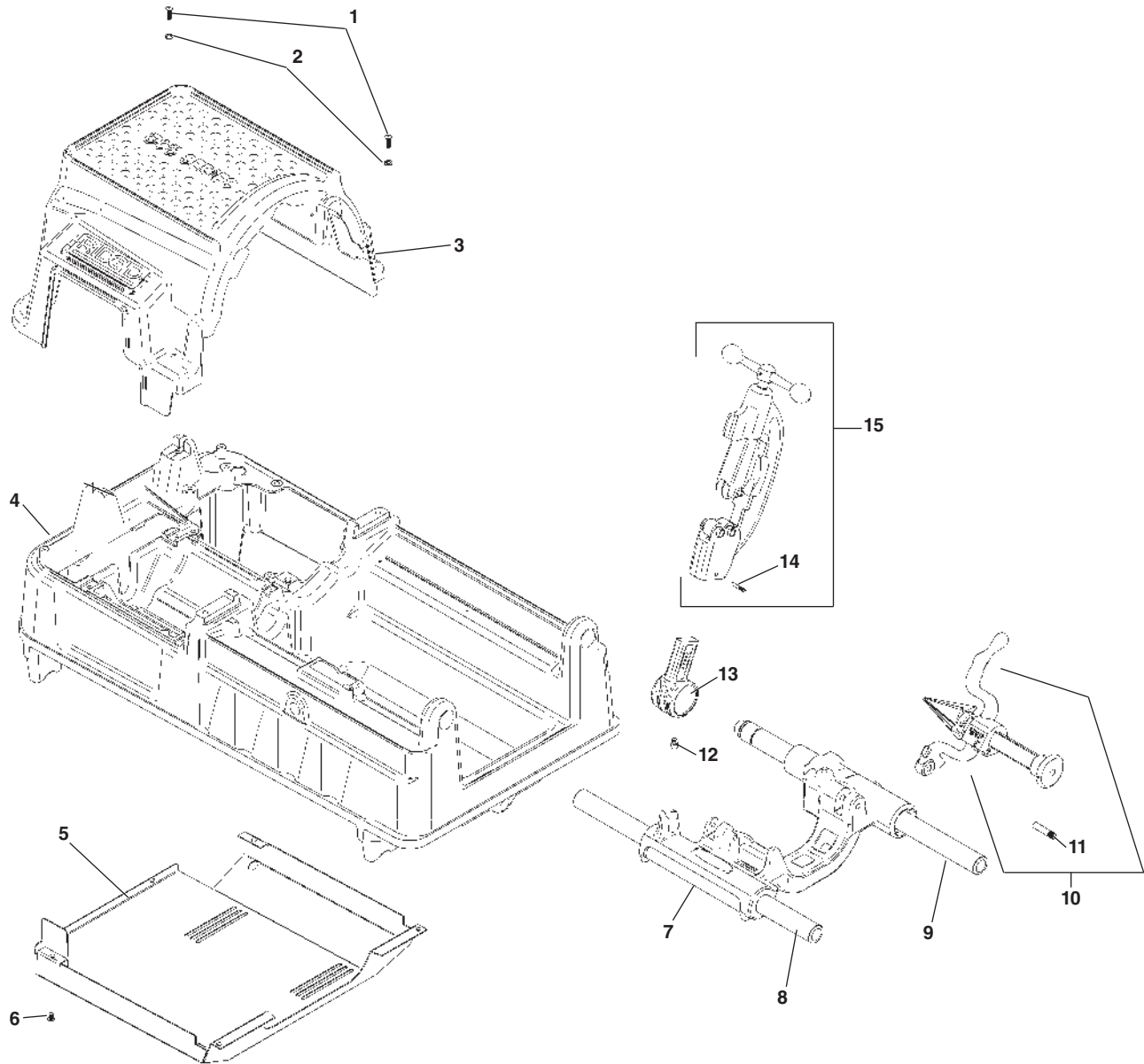


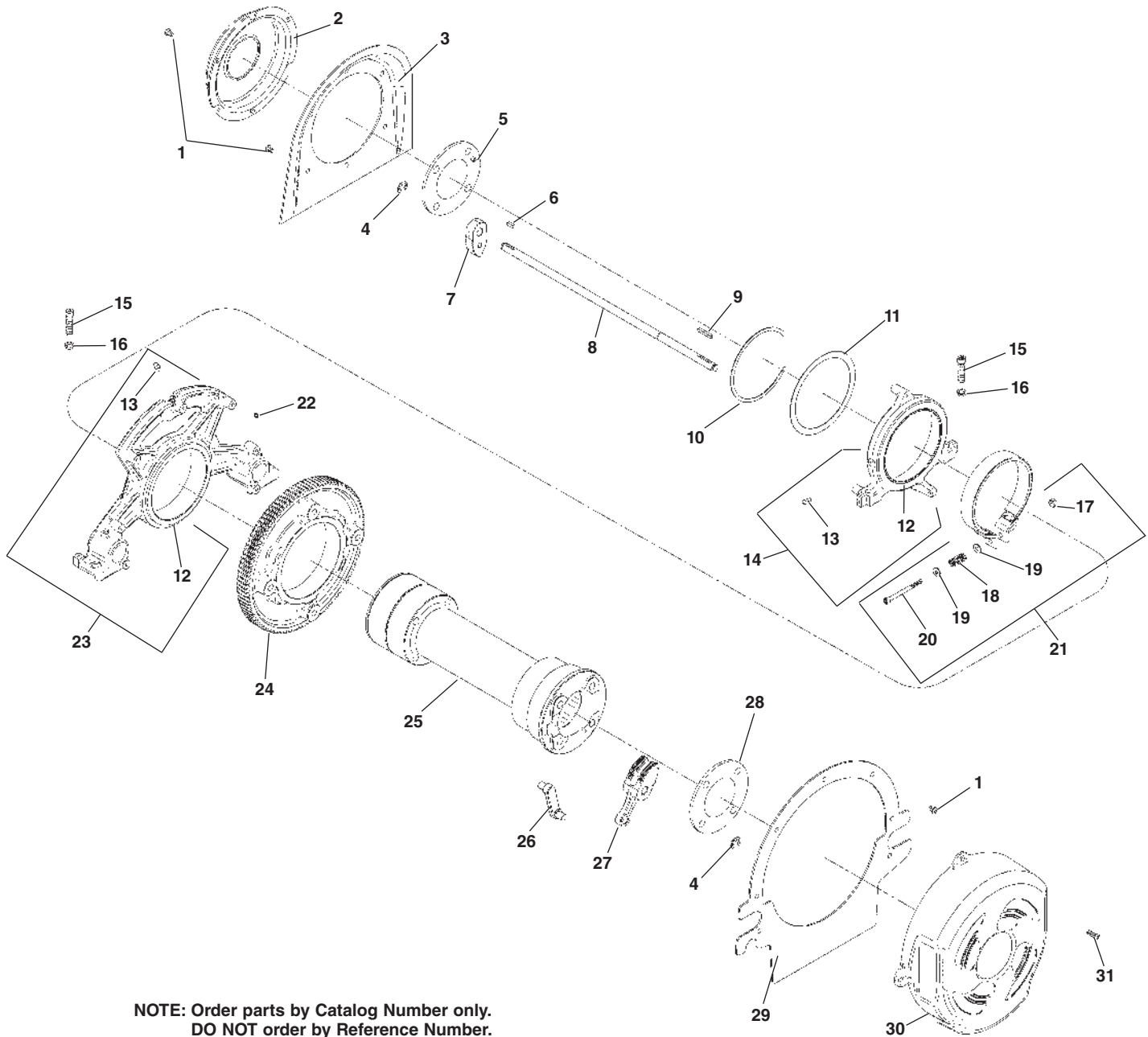
Main Components



NOTE: Order parts by Catalog Number only. DO NOT order by Reference Number.

Ref. No.	Catalog No.	Description	Ref. No.	Catalog No.	Description
1	94332	Screw, Button Head 1/4" - 20 x 3/4" (4)	9	45220R	Rear Support Bar
2	94322	Washer, Flat 1/4" (4)"	10	42365	341 Reamer Assembly
3	94432	Top Cover	11	47065	Pin
4	94042	Base	12	44930	Stop Screw
5	94147	Bottom Cover	13	43690	Cutter Arm
6	94312	Screw, Pan Head #6 - 32 x 2" (4)	14	47135	Stop Pin
7	94357	Carriage Assembly	15	42390	820 Cutter Assembly
8	45440	Front Support Bar			

Drive Shaft Assembly

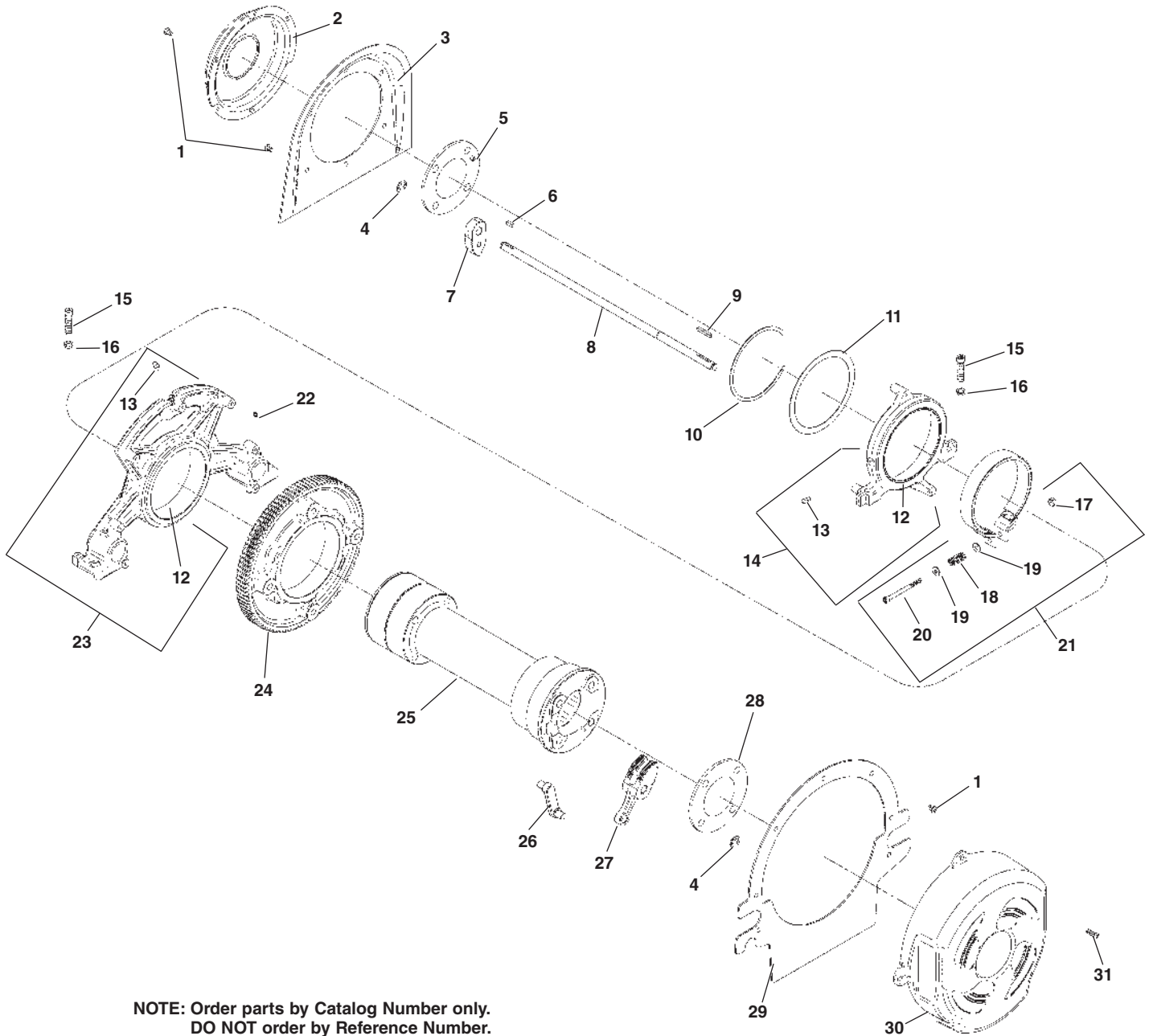


NOTE: Order parts by Catalog Number only.
DO NOT order by Reference Number.

Ref. No.	Catalog No.	Description	Ref. No.	Catalog No.	Description
1	94337	Screw, Button Head 1/4" - 20 x 3/8" (7)	17	77710	Lock Nut 1/4" - 20
2	94082	Rear Cover	18	45895	Spring
3	94077	Rear Plate	19	27402	Washer, Flat 1/4" (2)
4	26937	Retaining Ring (8)	20	94327	Screw, Socket Head 1/4" - 20 x 2 1/2"
5	94022	Rear Pivot Rod Support	21	94002	Brake Assembly
6	94267	Key, 3/16" Square x 1/2" (4)	22	40910	Set Screw 1/4" - 20 x 3/4" (4)
7†	93987	Rear Jaw (4)	23	94027	Front Bracket Assembly
8	93977	Pivot Rod (4)	24	94087	Drive Gear
9	94197	Key, 3/16" Square x 1 3/16" (4)	25	94032	Drive Shaft
10	94397	Retaining Ring	26	94047	Connecting Link (4)
11	94392	Thrust Washer	27†	94017	Front Jaw (4)
12	93957	Spindle Bearing (2)	28	93992	Front Pivot Rod Support
13	46860	Grease Fitting (2)	29	94072	Front Plate
14	94037	Rear Bracket Assembly	30	94097	Front Cover
15	46745	Screw, 3/8" - 16 x 1 1/4" (4)	31	94332	Screw, Button Head 1/4" - 20 x 3/4" (9)
16	40930	Washer, Lock 3/8" (4)			

† If replacing Front or Rear Jaws you must replace both sets with catalog number 66708

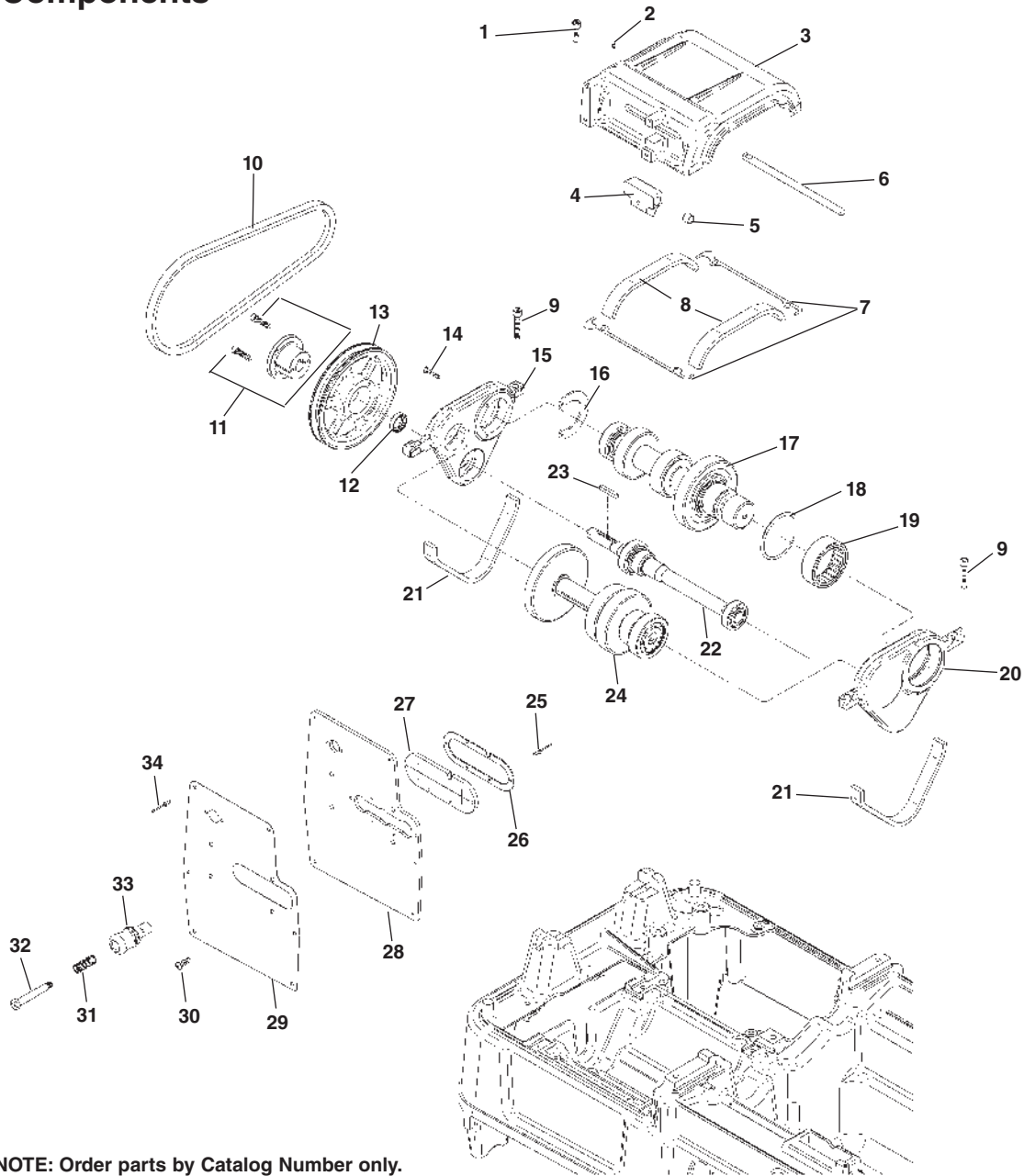
Drive Shaft Assembly – Type II - Built after serial number EBC065801119



**NOTE: Order parts by Catalog Number only.
DO NOT order by Reference Number.**

Ref. No.	Catalog No.	Description	Ref. No.	Catalog No.	Description
1	94337	Screw, Button Head 1/4" - 20 x 3/8" (7)	17	77710	Lock Nut 1/4" - 20
2	94082	Rear Cover	18	45895	Spring
3	94077	Rear Plate	19	27402	Washer, Flat 1/4" (2)
4	26937	Retaining Ring (8)	20	94327	Screw, Socket Head 1/4" - 20 x 2 1/2"
5	94022	Rear Pivot Rod Support	21	94002	Brake Assembly
6	94267	Key, 3/16" Square x 1/2" (4)	22	40910	Set Screw 1/4" - 20 x 3/4" (4)
7	66263	Rear Jaw (4)	23	94027	Front Bracket Assembly
8	93977	Pivot Rod (4)	24	94087	Drive Gear
9	94197	Key, 3/16" Square x 1 3/16" (4)	25	94032	Drive Shaft
10	94397	Retaining Ring	26	94047	Connecting Link (4)
11	94392	Thrust Washer	27	66258	Front Jaw (4)
12	93957	Spindle Bearing (2)	28	93992	Front Pivot Rod Support
13	46860	Grease Fitting (2)	29	94072	Front Plate
14	94037	Rear Bracket Assembly	30	94097	Front Cover
15	46745	Screw, 3/8" - 16 x 1 1/4" (4)	31	94332	Screw, Button Head 1/4" - 20 x 3/4" (9)
16	40930	Washer, Lock 3/8" (4)			

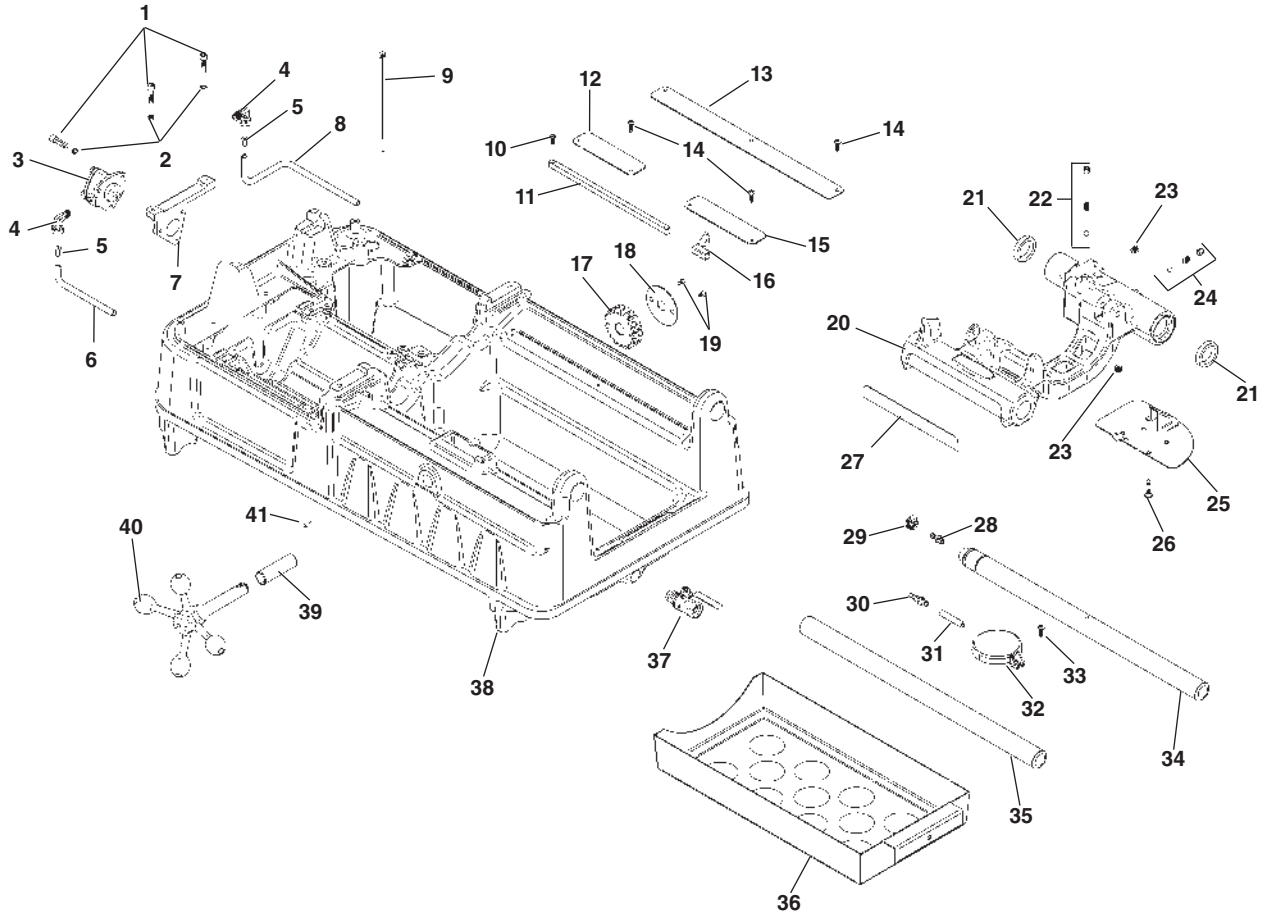
Gearbox Components



NOTE: Order parts by Catalog Number only.
DO NOT order by Reference Number.

Ref. No.	Catalog No.	Description	Ref. No.	Catalog No.	Description
1	40910	Screw, Socket Head 1/4" - 20 x 3/4" (4)	18	94062	Retaining Ring
2	34892	Set Screw 1/4" - 20 x 1/2"	19	94052	Bearing
3	94107	Transmission Cover	20	94167	Front Transmission Bracket
4	94227	Shifter Fork	21	94247	Gasket (2)
5	26447	Bushing (2)	22	93967	Input Shaft Assembly
6	94132	Shifter Rod	23	94277	Key, 3/16" Square x 1/4"
7	94252	Gasket (2)	24	94182	Intermediate Shaft Assembly
8	94242	Gasket (2)	25	94387	Pop Rivet (5)
9	40367	Screw, Socket Head 5/16" - 18 x 1 1/4" (4)	26	94367	Gasket
10	94262	V Belt	27	94372	Gasket
11	94217	Bushing f/ Input Pulley	28	94187	Control Panel
12	94202	Seal	29	94207	Control Panel Label
13	94102	Input Pulley	30	94332	Screw, Button Head 1/4" - 20 x 3/4" (4)
14	94317	Screw, Pan Head #8 - 32 x 1" (3)	31	94292	Spring
15	94172	Rear Transmission Bracket	32	94137	Shifter Shaft
16	94177	Bearing Retainer	33	94142	Shifter Knob
17	93972	Output Shaft Assembly	34	94427	Pop Rivet (6)

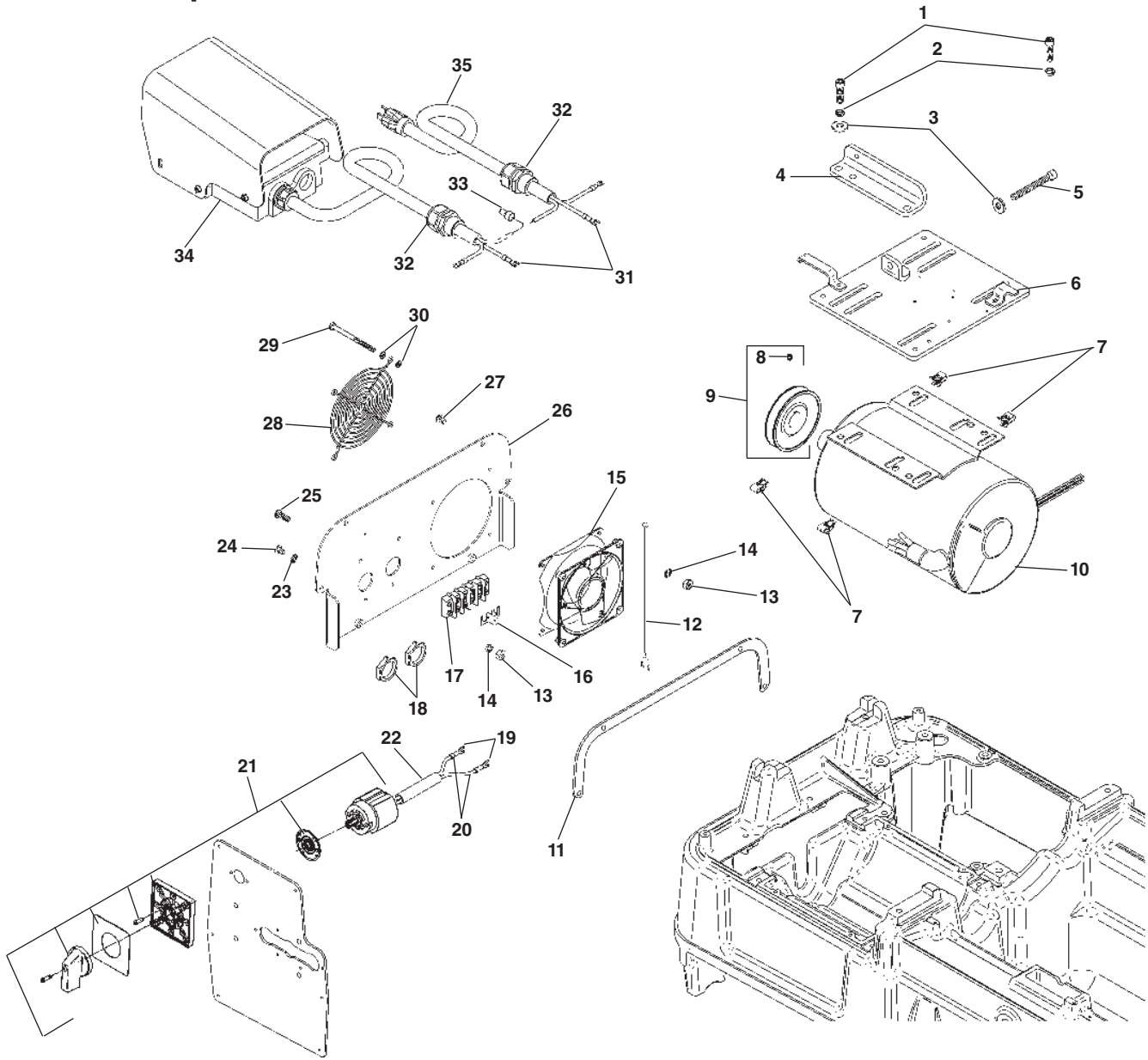
Carriage and Oiling Components



**NOTE: Order parts by Catalog Number only.
DO NOT order by Reference Number.**

Ref. No.	Catalog No.	Description	Ref. No.	Catalog No.	Description
1	83685	Screw, Socket Head 1/4" - 20 x 1" (5)	22	46810	Die Head Détente
2	44740	Lock Washer, 1/4" (5)	23	46815	Pipe Plug, 1/8" NPT (2)
3	94092	Oil Pump	24	35307	Pressure Relief Set
4	35122	Fitting (2)	25	45195	Drip Tray
5	35117	Tube Insert	26	46270	Screw, 1/4" - 20 x 1/2" (4)
6	26822	Oil Hose	27	46370	Length Gauge
7	27123	Oil Pump Bracket	28	69157	Barbed Fitting
8	94362	Oil Hose	29	35142	Hose Clamp
9	94407	Cable Tie	30	54142R	Bulkhead Fitting
10	45615	Screw, Flat Head #10 - 32 x 1/2" (2)	31	87950	Hose
11	47105	Length Indicator Bar	32	58467	Filter Screen Assembly
12	94122	Drip Edge	33	45420	Screw, #10 - 32 x 3/8"
13	94127	Drip Edge	34	45220R	Support Bar, Rear
14	43367	Screw, #8 x 3/4"	35	45440	Support Bar, Front
15	94117	Drip Edge	36	94112	Chip Tray
16	47110	Indicator Slide	37	94347	Valve, Oil Drain
17	45430	Pinion	38	94042	Base
18	47120	Pinion Lock Ring	39	94222	Bushing
19	46785	Screw, Flat Head #10 - 32 x 3/8" (2)	40	94012	Handwheel
20	94357	Carriage Assembly (Includes Ref. Nos. 21 - 27)	41	94267	Key, 3/16" Square x 1/2"
21	46720	Oil Seal (2)			

Electrical Components



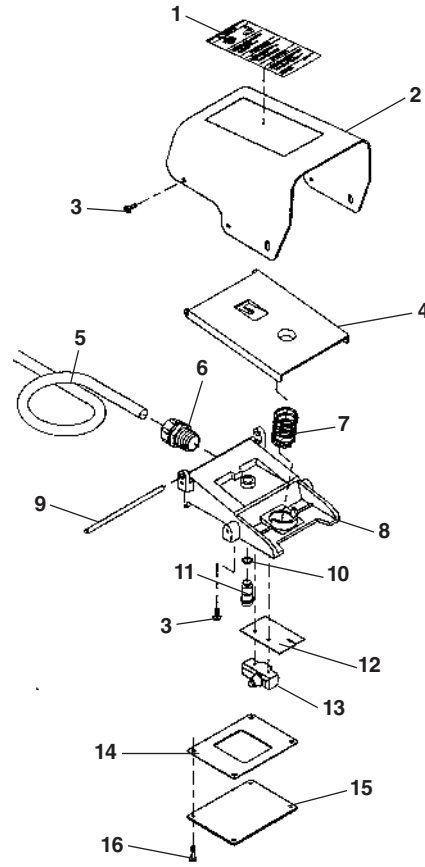
NOTE: Order parts by Catalog Number only.
DO NOT order by Reference Number.

Ref. No.	Catalog No.	Description	Ref. No.	Catalog No.	Description
1	40367	Screw, Socket Head 5/16" - 18 x 1 1/4" (8)	19	46875	Spade Terminal (2)
2	40770	Washer, Split Lock 5/16" (12)	20	93947	Wire Set
3	96740	Washer, Flat 5/16" (5)	21	20118	Switch Assembly
4	94162	Adjuster Bracket	22	59342	Insulator Sleeve
5	27113	Screw, Socket Head 5/16" - 18 x 3/4"	23	46985	Washer, Lock Ext. Tooth #10 (2)
6	94192	Motor Table	24	47147	Screw, Button Head #10 - 32 x 3/8" (2)
7	96367	Tinnerman Nut (4)	25	34667	Screw, Button Head #10 - 32 x 3/4" (2)
8	77905	Set Screw 5/16" - 18 x 1/4"	26	94152	Back Cover
9	94237	Pulley	27	94337	Screw, Button Head 1/4" - 20 x 3/8" (4)
10	94007	Motor 120V 60 Hz	28	94232	Fan Guard
11	94422	Gasket	29	94312	Screw, Pan Head #6 - 32 x 2" (4)
12	94447	Fan Cord	30	94442	Washer, Flat #6 (8)
13	34722	Nut, Hex #10 - 32 (4)	31	93952	Spade Terminal (2)
14	58542	Washer, Lock #10 (4)	32	75952	Strain Relief (2)
15	94212	Fan	33	44635	End Splice
16	94377	Jumper	34	74272	Foot Switch, B-294HD
17	94382	Terminal Block	35	75902	Power Cord 115V
18	93962	Lock Nut (2)			

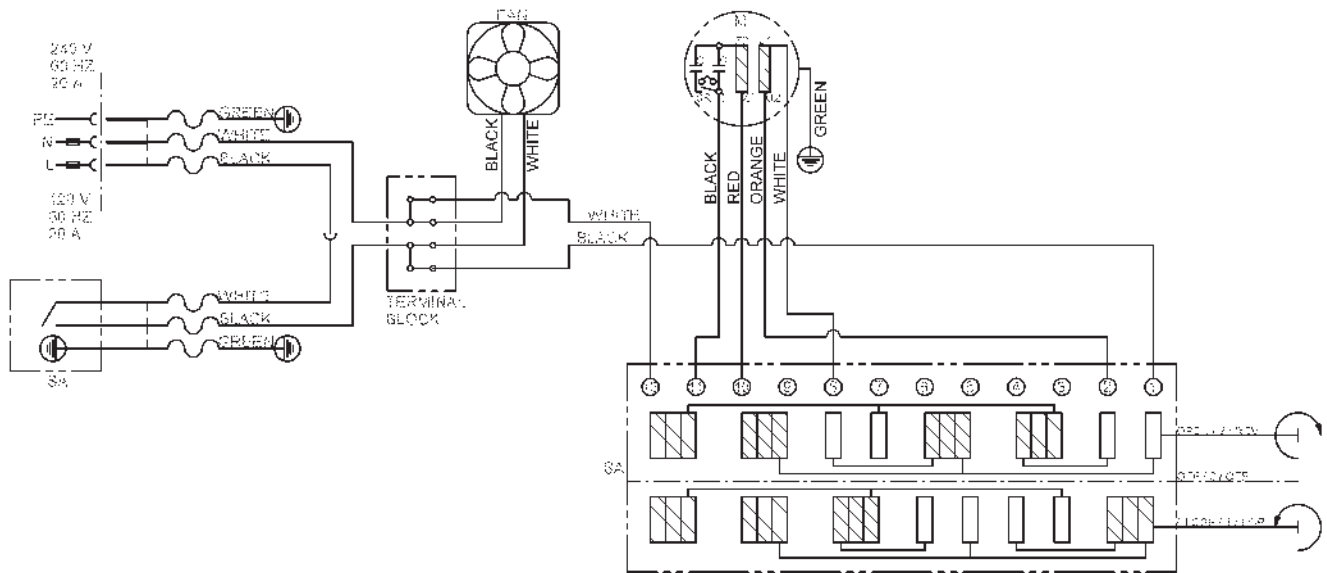
B-294 HD Foot Switch

**NOTE: Order parts by Catalog Number only.
DO NOT order by Reference Number.**

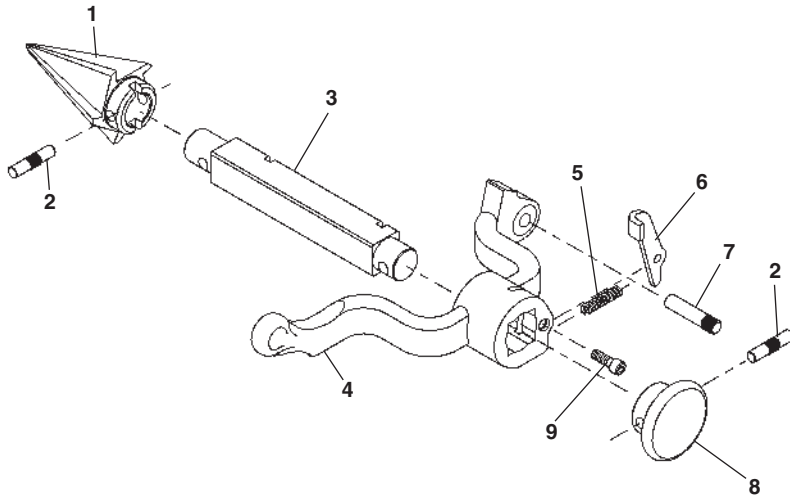
Ref. No.	Catalog No.	Description
—	36642	B-294 Foot Switch
—	36647	B-295 Foot Switch
—	36662	301-A Foot Switch
—	74272	B-294 HD Foot Switch
1	36667	Warning Label (B-294)
	36672	Warning Label (B-295)
	36687R	Warning Label (301-A)
	76352	Warning Label (B-294 HD)
2	36692R	Cover
3	36787	Screw #10 Self-tapping (5)
4	36697R	Foot Pedal
5	68880	Cord (B-294)
	36712	Cord (B-295)
	36727	Cord (301-A)
	75972	Cord (B-294 HD)
6	36732	Cord Connector
	75977	Cord Connector (B-294 HD)
7	36702	Spring
8	54347	Base
9	36747	Pivot Pin
10	36767	O-Ring
11	36772	Poppet
12	54367	Insulator
13	36762	Micro Switch
14	54372	Seal
15	54362	Bottom Cover
16	54357	Bottom Cover Screw (4)



Wiring Diagram



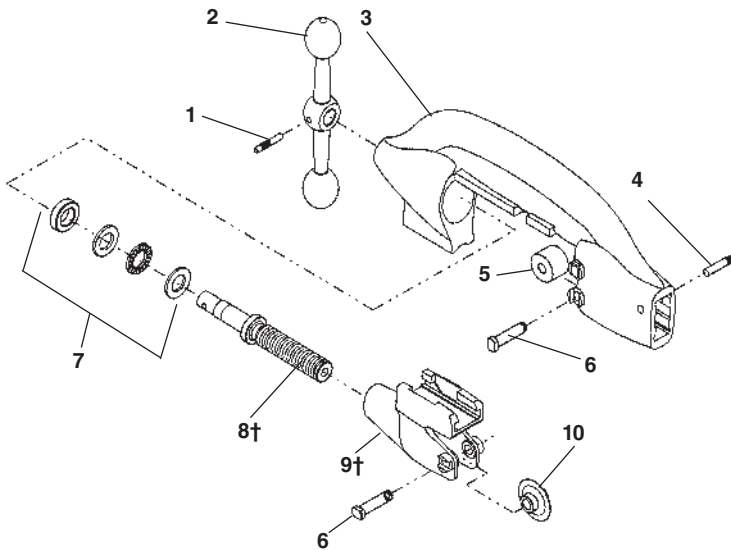
No. 341 Reamer



**NOTE: Order parts by Catalog Number only.
DO NOT order by Reference Number.**

Ref. No.	Catalog No.	Description
—	42365	341 Reamer Complete
1	36277	Cone (R.H.)
	46660	Cone (L.H. & R.H.)
2	47155	Pin
3	43790	Reamer Bar
4	43230	Reamer Arm
5	44700	Latch Spring
6	46665	Reamer Latch
7	47065	Hinge Pin
8	46585	Reamer Knob
9	46515	Screw 1/4" - 20 x 3/4"

No. 820 Cutter



Ref. No.	Catalog No.	Description
—	42390	820 Cutter Complete
1	47160	Crank Pin
2	45765	Feed Screw Crank
3	43040	Cutter Frame
4	47135	Stop Pin
5	34775	Cutter Roll (2)
6	34780	Cutter & Roll Pin (3)
7	46725	Thrust Bearing Assembly
8†	45780	Feed Screw
9†	43245	Wheel Housing
10	44185	Cutter Wheel
	44190	Cutter Wheel f/Stainless

† Service Note: When replacing parts on early style (fine thread) cutters, both feed screw and wheel housing must be replaced.