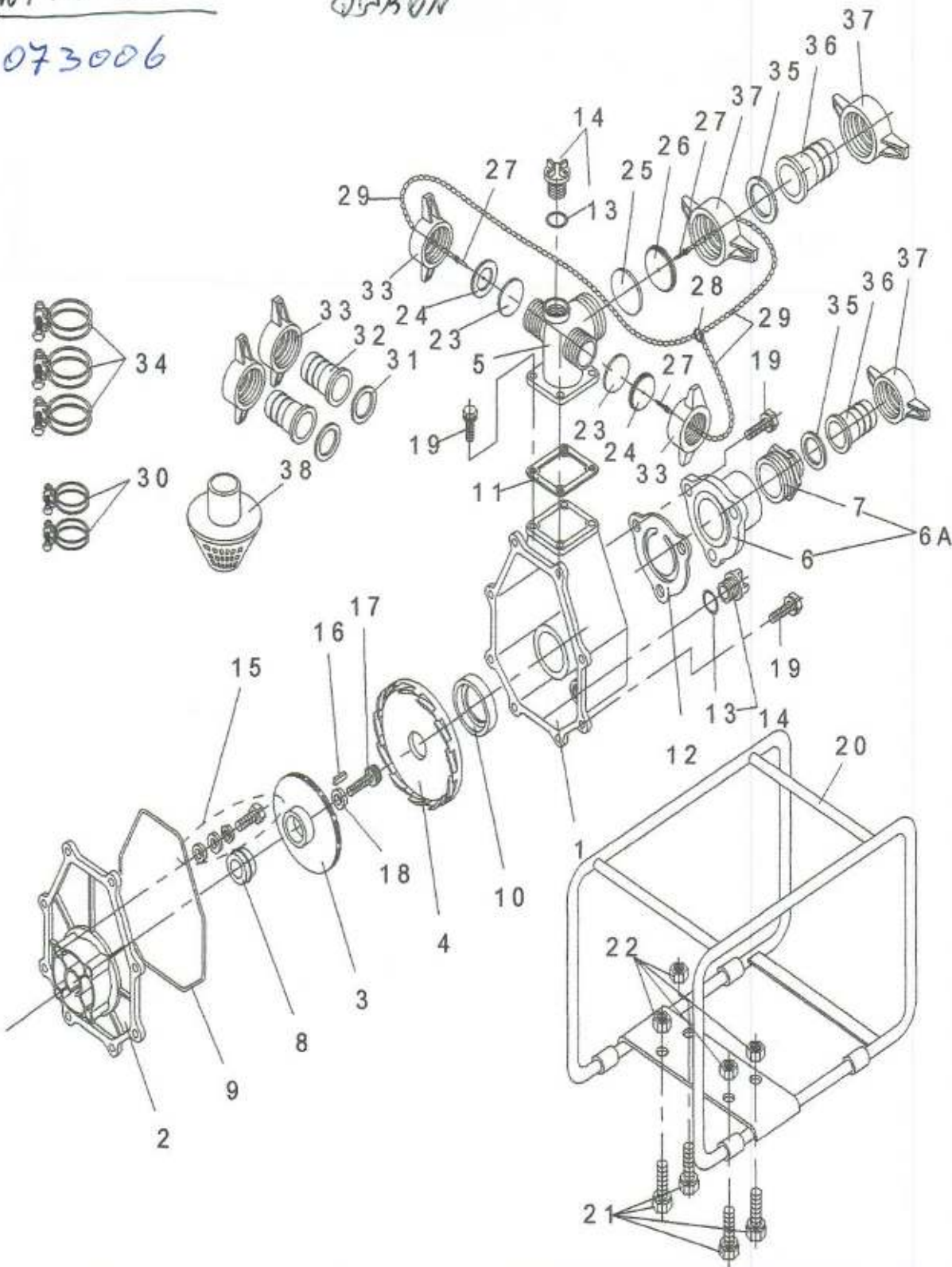


9	200 900 350	PACKING,CASING	1	1390
10	200 900 240	PACKING,INNER CASING	1	1120
11	200 900 170	PACKING,BEND	1	1130
12	200 900 120	CHECK VALVE	1	1750
13	200 800 020	O-RING	2	140
14	200 500 040	PLUG ASSY	2	1100
15	203 000 100	CASING BOLT ASSY	4	180
16	203 300 100	KEY	1	190
17	203 000 400	SOCKET BOLT M8x35	1	1110
18	203 100 210	SEAL WASHER	1	1560
19	203 000 040	HEX.BOLT	15	130
20	200 101 320	FRAME (BLACK)	1	110,545
21	203 000 070	HEX.BOLT	4	130
22	203 200 010	FLANGE NUT	4	120
23	200 900 100	PACKING,CAP	2	180
24	200 300 400	CAP	2	1820
25	200 900 090	PACKING,CAP	1	1160
26	200 300 390	CAP	1	1920
27	203 300 050	PIN	3	140
28	203 300 060	RING	1	140
29	203 300 070	CHAIN	3	1320
30	201 000 020	HOSE BAND	2	170
31	200 900 030	PACKING,COUPLING	2	120
32	200 500 030	HOSE COUPLING	2	180
33	200 500 020	HOSE COUPLING HANDLE	4	1140
34	201 000 030	HOSE BAND	3	190
35	200 900 040	PACKING,COUPLING	2	140
36	200 500 140	HOSE COUPLING	2	1160
37	200 500 150	HOSE COUPLING HANDLE	3	1240
38	201 200 020	STRAINER	1	1440

WPH2-65-3

OAKON

073006



Fl	Parts No.	Parts name	Q'ty	List Price
	ENGINE	BS 6.5HP	1	-
1	200 200 130	CASING	1	15,710
2	200 201 040	CASING COVER	1	15,620
3	200 210 200	IMPELLER	1	17,280
4	200 210 410	DIFFUSER	1	18,800
5	200 201 080	BEND	1	13,200
6	200 200 540	VALVE CASE	1	11,350
7	200 500 240	FITTING PIPE	1	11,780
6A	202 200 160	VALVE CASE ASSY	(1)	13,130
8	201 100 031	MECHANICAL SEAL	1	12,260